

Cast iron Gate Valve inside screw brass trim PN10 handwheel operated O-ring packing maintenance free High Temperature

Main characteristics

- Manufactured in Italy in accordance with EN 1171
- Face-to-face length according to EN 558-1, basic series 14
- Flanged according to EN 1092-2 PN10 with raised face, undrilled, PN16 or other specifications on request
- Inside screw thread clockwise closing, maintenance free with 2 O-ring packing
- Minimal pressure drop
- Hydrostatically tested according to EN 12266-1: Test type P11-P12 Rate A
- Pressure Equipment Directive 2014/68/UE Group 2
- 100% full bore
- Gate valves are bi-directional and can be installed in any position. However, the preferred orientation is with the stem pointing vertically upwards.

Field of application

- Industrial plants
- Sewage water
- Water treatment
- Air-conditioning systems (HVAC)
- Central heating and cooling circuits
- Non-aggressive fluids
- Tanks
- Irrigation

Corrosion protection

- Standard version: externally coated with Phenolic-oil resin with zinc-phosphate high corrosion resistance painting Grey Ral 7011
- On request: integrally epoxy coated
- Customized color available



Ratings

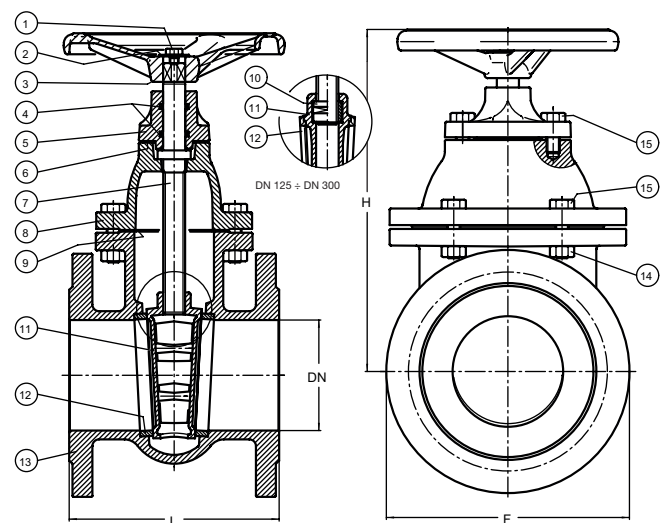
Working temperature (°C)	-10 to +120
Max Working pressure (bar)	10

Hydrostatically tested according to EN 12266-1 (bar)

P11 Body test	P12 Seat Test water	P12 Seat test air
15	11	6

Material specification

Nr	Parts	Material	Specification
1	Screw	Zinc-plated 8.8 carbon steel	EN ISO 4017
2	Washer	Zinc-plated carbon steel	EN 7092
3	Handwheel	EN-GJL-250 grey cast iron	EN 1561
4	O-ring	Nbr 70SH K6	EN 549
5	Cap	EN-GJL-250 grey cast iron	EN 1561
6	Gasket	Fasit 205	-
7	Stem	Drawn brass CW614N	EN 12164
8	Bonnet	EN-GJL-250 grey cast iron	EN 1561
9	Gasket	Fasit 205	-
10	Motherscrew	Cast brass CB 754-S GM	EN 1982
11	Wedge DN 40-DN 100	Cast brass CB 754-S GM	EN 1982
11	Wedge DN 125-DN 300	EN-GJL-250 grey cast iron	EN 1561
12	Seats	CB 754-S GM cast brass	EN 1982
13	Body	EN-GJL-250 grey cast iron	EN 1561
14	Nut	Zinc-plated 8.8 carbon steel	ISO 4032
15	Screw	Zinc-plated 8.8 carbon steel	EN ISO 4017



Technical data

DN	40	50	65	80	100	125	150	200	250	300
F mm	150	165	185	200	220	250	285	340	395	445
L mm	140	150	170	180	190	200	210	230	250	270
H mm	192	215	247	273	307	365	412	496	587	655
Weight Kg	9	11	15	18	23	31	41	68	91	124
Handwheel Ø mm	125	150	175	175	200	200	225	225	250	300
Turns open/close nr	10	12,5	16	20	25	25	30	40	50	60
Max torque gate closing Nm	30	30	35	35	40	45	45	60	65	70
Kvs value	107	250	430	790	1.250	1.960	2.790	2.880	4.306	6.380

EN_105bisht - Edition 09/2017 • Maran Peracini srl assumes no responsibility or liability for typographical errors or omissions and reserves the right to change without notice.