

Cast iron Gate Valve inside screw AISI 304 stainless steel trim PN10 High Temperature with consol-flange ISO5210

Main characteristics

- Manufactured in Italy in accordance with EN 1171
- Face-to-face length according to EN 558-1, basic series 14
- Flanged according to EN 1092-2 PN10 with raised face, undrilled, PN16 or other specifications on request
- Inside screw thread clockwise closing
- Minimal pressure drop
- Hydrostatically tested according to EN 12266-1: Test type P11-P12 Rate A
- Pressure Equipment Directive 2014/68/UE Group 1
- 100% full bore
- Gate valves are bi-directional and can be installed in any position. However, the preferred orientation is with the stem pointing vertically upwards.

Field of application

- Industrial plants
- Sewage Water
- Water treatment
- Transformer oil: cooling circuits
- Aggressive fluids
- Tanks

Corrosion protection

- Standard version: externally coated with Phenolic-oil resin with zinc-phosphate high corrosion resistance painting Grey Ral 7011
- On request: integrally epoxy coated
- Customized color available



Ratings

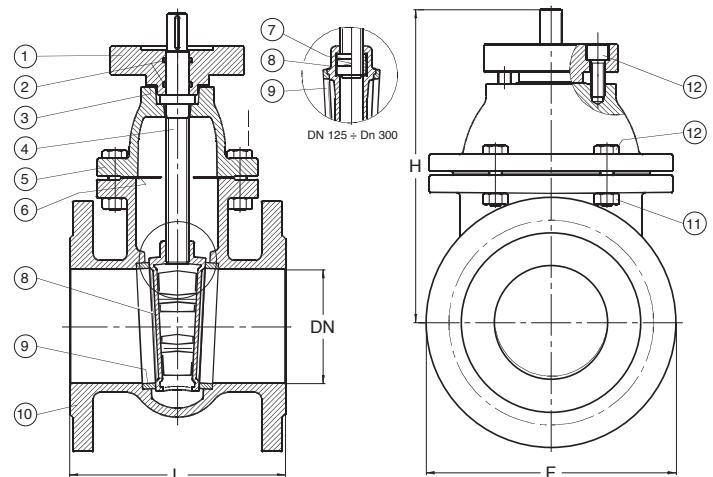
Working temperature (°C)	-10 to +120
Max Working pressure (bar)	10

Hydrostatically tested according to EN 12266-1 (bar)

P11 Body test	P12 Seat Test water	P12 Seat test air
15	11	6

Material specification

Nr	Parts	Material	Specification
1	Consol-flange ISO5210	Carbon steel	A 105
2	O-ring	HNBR rubber	-
3	Gasket	Fasit 205	-
4	Stem	Stainless Steel X12Cr13	AISI 410
5	Bonnet	EN-GJL-250 grey cast iron	EN 1561
6	Gasket	Fasit 205	-
7	Motherscrew	Carbon steel	A105
8	Wedge DN 40-DN 100	Carbon steel+ AISI 304L stainless steel	A105+AISI 304L
8	Wedge DN 125-DN 300	EN-GJL-250 grey cast iron	EN 1561
9	Seats	Stainless steel	AISI 304L
10	Body	EN-GJL-250 grey cast iron	EN 1561
11	Motherscrew	Carbon steel	A105
12	Screw	Zinc-plated 8.8 carbon steel	EN ISO 4017



Technical data

DN	40	50	65	80	100	125	150	200	250	300
F mm	150	165	185	200	220	250	285	340	395	445
L mm	140	150	170	180	190	200	210	230	250	270
H mm	185	205	229	255	285	344	385	460	539	611
Weight Kg	9	11	15	18	23	31	41	63	91	124
Turns open/close nr	10	12,5	16	20	25	25	30	40	50	60
Max torque gate closing Nm	30	30	35	35	40	45	45	60	65	70
Kvs value	107	250	430	790	1.250	1.960	2.790	2.880	4.306	6.380