

## Cast iron Gate Valve inside screw bronze trim PN16 BS 5150/ANSI Class 125 with consol flange ISO 5210 F10

### Main characteristics

- Manufactured in Italy in accordance with BS 5150
- Face-to-face length according to EN 558-1, basic series 3
- Flanged according to ANSI B16.1 with flat face (EN 1092-2 PN 16 available)
- Inside screw thread clockwise closing, O.ring packing maintenance free
- Minimal pressure drop
- Hydrostatically tested according to EN 12266-1: Test type P11-P12 Rate A
- Pressure Equipment Directive 2014/68/UE art. 13 Group 2
- 100% full bore
- Gate valves are bi-directional and can be installed in any position.  
However, the preferred orientation is with the stem pointing vertically upwards.

### Field of application

- Industrial plants
- Sewage Water
- Sea Water
- Water treatment
- Air-conditioning systems (HVAC)
- Central heating and cooling circuits
- Non-aggressive fluids
- Tanks
- Irrigation
- Shipyard

### Corrosion protection

- Standard version: externally coated with Phenolic-oil resin with zinc-phosphate high corrosion resistance painting Grey Ral 7011
- On request: integrally epoxy coated
- Customized color available



### Ratings

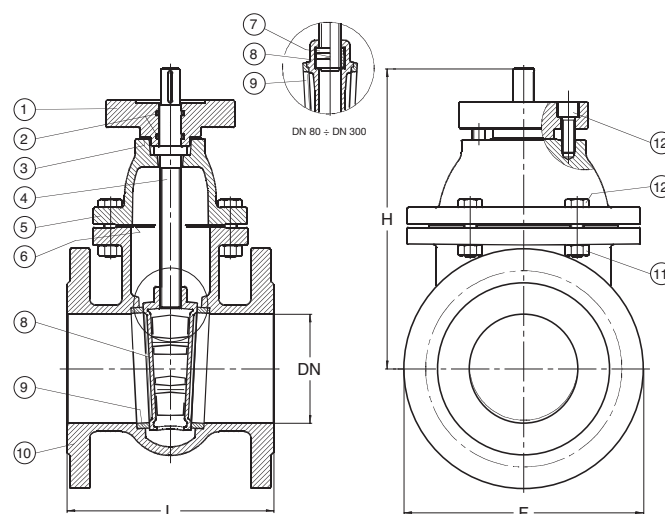
Working temperature (°C)	-10 to +120	+120 to +150
Max Working pressure (bar)	16	14

### Hydrostatically tested according to EN 12266-1 (bar)

P11 Body test	P12 Seat Test water	P12 Seat test air
24	18	6

### Material specification

Nr	Parts	Material	Specification
1	Consol flange	Carbon Steel A105	ISO 5210 F10
2	O-ring	HNBR Rubber	EN 7092
3	Gasket	Fasit 205	-
4	Stem	X12Cr13 Stainless Steel	AISI 410
5	Bonnet	EN-GJL-250 grey cast iron	EN 1561
6	Gasket	Fasit 205	-
7	Motherscrew	CB 754-S GM Cast brass	EN 1982
8	Wedge DN 40-DN 65	CuSn5Zn5Pb5-B Cast bronze	EN 1982
8	Wedge DN 80-DN 300	EN-GJL-250 grey cast iron	EN 1561
9	Seats	CuSn5Zn5Pb5-B Cast bronze	EN 1982
10	Body	EN-GJL-250 grey cast iron	EN 1561
11	Nut	Zinc-plated 8.8 carbon steel	ISO 4032
12	Screw	Zinc-plated 8.8 carbon steel	EN ISO 4017



### Technical data

DN	50	65	80	100	125	150	200	250	300
F mm	165	185	200	229	250	285	340	405	483
L mm	178	190	203	229	254	267	292	330	356
H mm	245	290	315	355	415	460	545	635	725
Weight Kg	12	16	23	31	42	55	88	134	180
Turns open/close nr	12,5	16	20	25	25	30	40	42	50
Max torque gate closing Nm	30	35	35	40	45	45	60	90	90
Kvs value	250	430	790	1.250	1.960	2.790	2.880	4.306	6.380

EN\_235bza - Edition 04/2016 • Maran e Peracini srl assumes no responsibility or liability for typographical errors or omissions and reserves the right to change without notice.