

## Ductile cast iron Gate Valve inside screw soft seating PN16 ISO 7259 with consol-flange ISO5210

### Main characteristics

- Manufactured in Italy in accordance with ISO 7259
- Face-to-face length according to EN 558-1, basic series 3
- Flanged according to EN 1092-2 PN16 with raised face (other specifications on request)
- Inside screw thread clockwise closing, o-ring packing
- Minimal pressure drop
- Hydrostatically tested according to EN 12266-1: Test type P10-P11-P12 Rate A
- Pressure Equipment Directive 2014/68/UE Group 2
- 100% full bore
- EPDM integrally vulcanized wedge
- Gate valves are bi-directional and can be installed in any position. However, the preferred orientation is with the stem pointing vertically upwards.

### Field of application

- Potable water
- Food industry
- Water treatment
- Fire-fighting
- Irrigation

### Corrosion protection

Integrally fusion bonded  
Epoxy coated  
Blue Ral 5015  
250 Micron



### Ratings

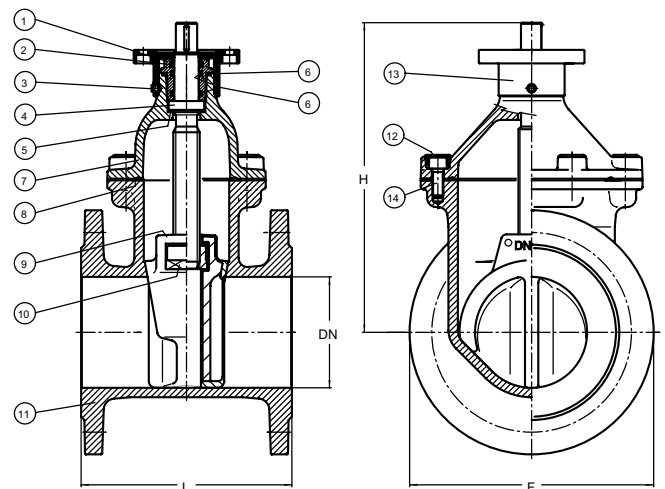
Working temperature (°C)	-10 to +80
Max Working pressure (bar)	16

### Hydrostatically tested according to EN 12266-1 (bar)

P11 Body test	P12 Seat Test water	P12 Seat test air
24	18	6

### Material specification

Nr	Parts	Material	Specification
1	Bush	CW614N Drawn brass	EN 12164
2	Dust proof packing	Pvc	-
3	Screw	Stainless steel	AISI 304
4	Stem	X12Cr13 Stainless Steel	AISI 410
5	Back seat	Ptfe	ASTM 4894
6	O-ring	Epdm Rubber	ISO 4097
7	Bonnet	EN-GJS-400-15 Ductile cast iron	EN 1563
8	Gasket	Epdm	ISO 4097
9	Wedge	EN-GJS-400-15 Ductile cast iron Epdm integrally Vulcanized	EN 1563
10	Motherscrew	CB 754-S GM Cast brass	EN 1982
11	Body	EN-GJS-400-15 Ductile cast iron	EN 1563
12	Screw tap	Hot Glue	-
13	Consol-flange	Zinc-plated Carbon steel	A105



### Technical data

DN	50	65	80	100	125	150	200	250	300
F mm	165	185	200	220	250	285	340	405	460
L mm	178	190	203	229	254	267	292	330	356
H mm	213	236	265	298	344	388	480	587	664
Weight Kg	12	15	18	23	29	37	56	87	115
Turns open/close nr	12.5	16	16	20	25	30	33	41	50
Max torque gate closing Nm	40	40	50	60	60	80	100	120	130
Kvs value	250	430	790	1.250	1.960	2.790	2.880	4.306	6.380

EN\_430a - Edition 03/2017 • Maran Peracini srl assumes no responsibility or liability for typographical errors or omissions and reserves the right to change without notice.